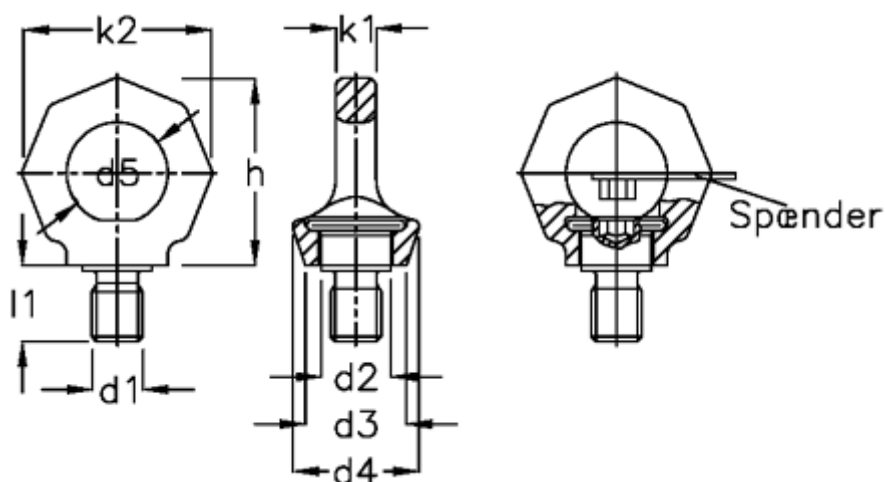


Article number: 20581M10A

Description: E+G Lifting eye bolts
GN 581-M10-A

Measures



d1 = M10	K2	= 47
d2 = 14.0	l1	= 15
d3 = 25	Nominal drive = 0,4t (4000N)	
d4 = 28		
d5 = 25		
d6 = -		
H = 45		
K1 = 8.5		